

**Top Rear  
Panel Open  
0.7 m (30 inches)**

**Front Panel  
Extended**

**Lower Rear  
Panel Closed  
0.5 m (18 inches)**

**Solid Side Panel**

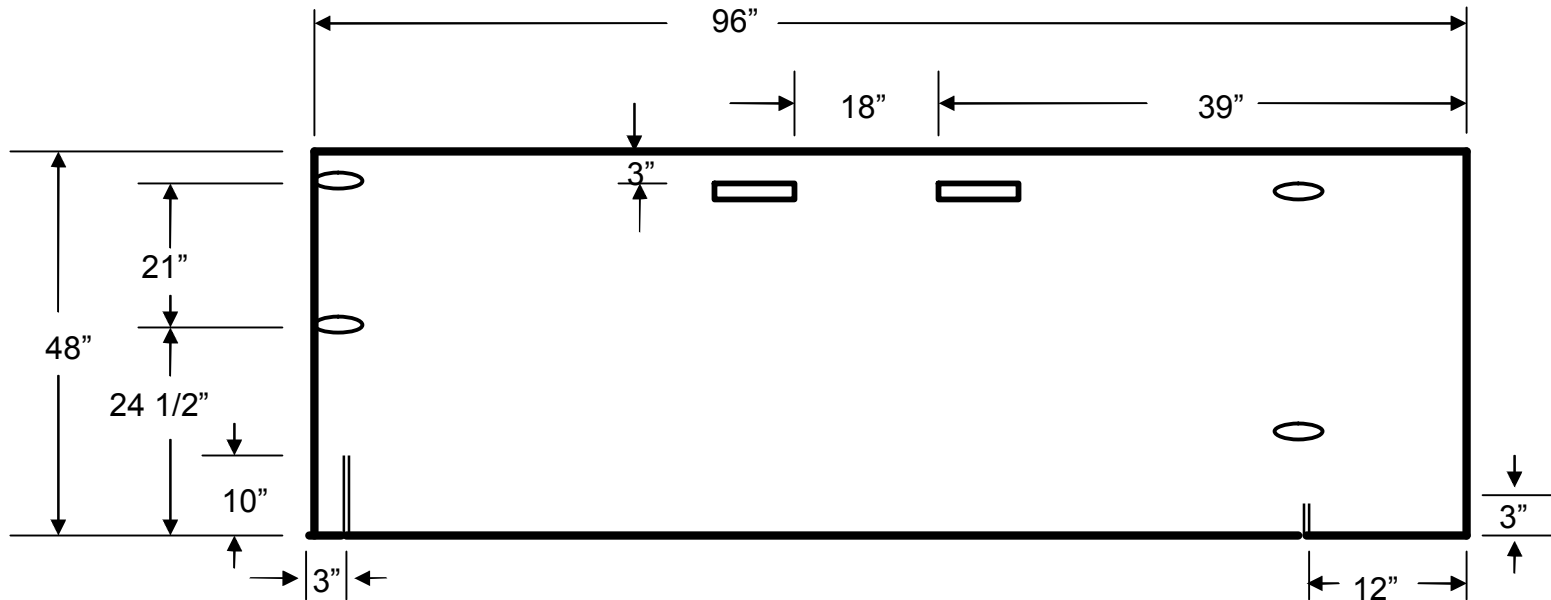
**Front Panel  
Bedding  
Retainer**

**Open  
Front Panel**

Not to Scale

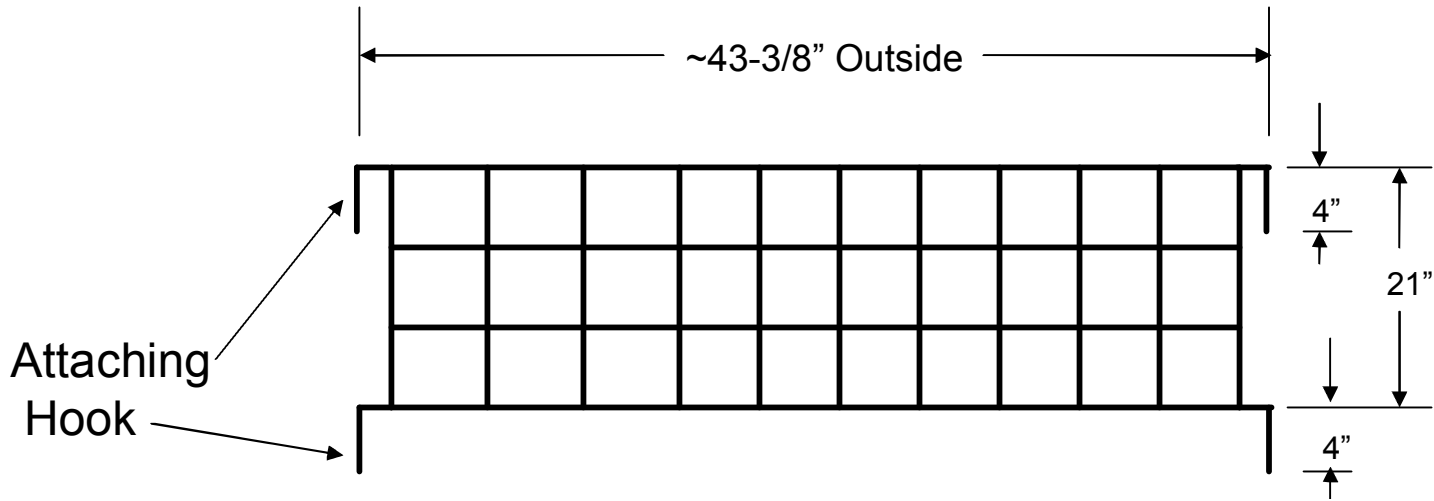
## Side Panels

(3/4" pressure treated plywood painted or glass board)



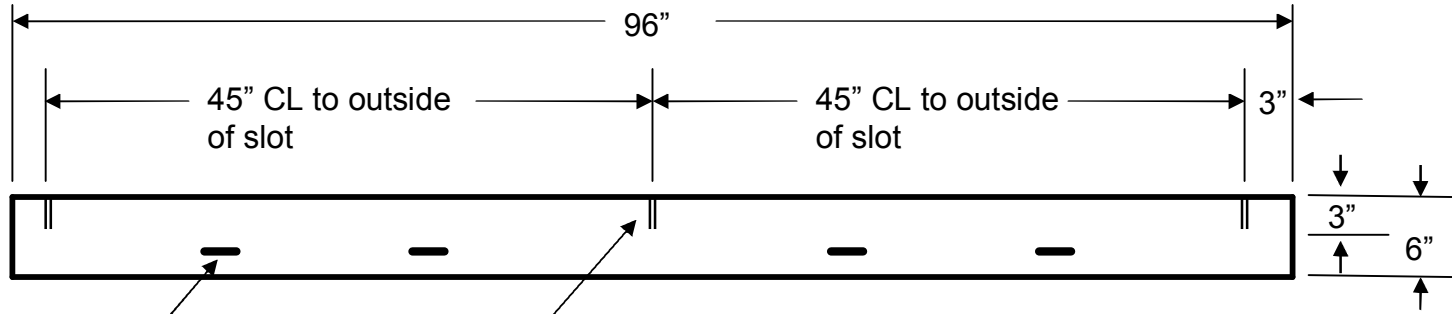
- || Slot - 3/8" wider than cross panel thickness
- 1" diameter eye bolt positioned to accept hooks on front and rear panels
- ▭ 2" x 6" slot for lifting

Not to Scale



**Rear Top Panel  
(beef panel or re-bar)**

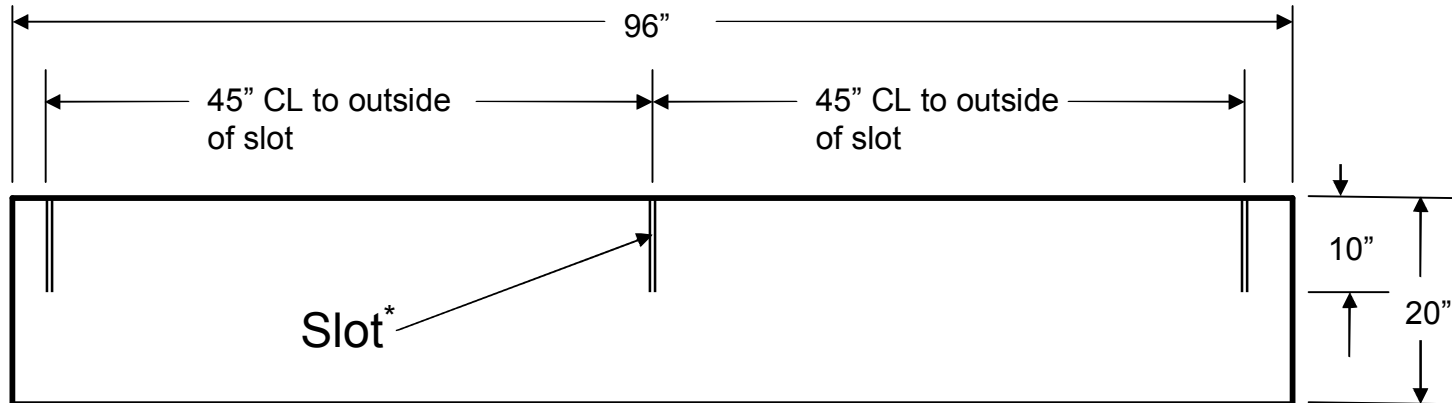
Not to Scale



Locate slots to accept angles of bucket holder

Slot\*

**Front Bedding Retainer  
(2x6 pressure treated lumber)**



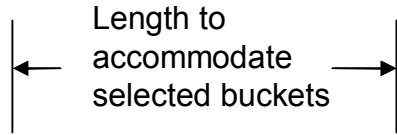
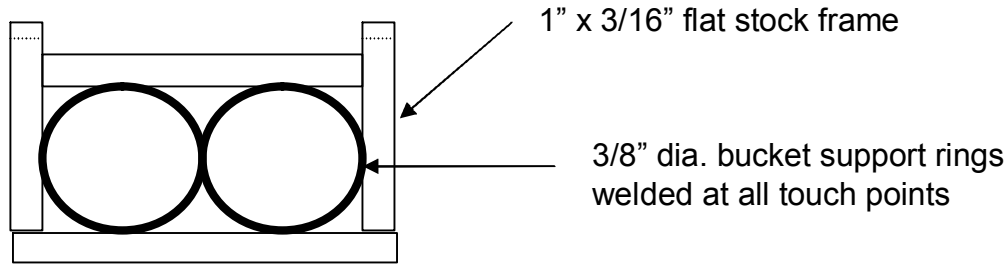
Slot\*

**Rear Lower Panel  
(3/4" pressure treated plywood painted or glass board)**

\* Slot 3/8" wider than side panel thickness

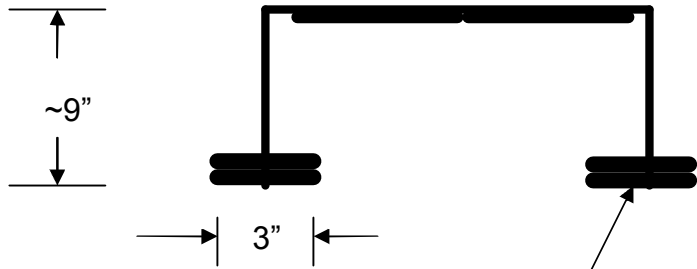
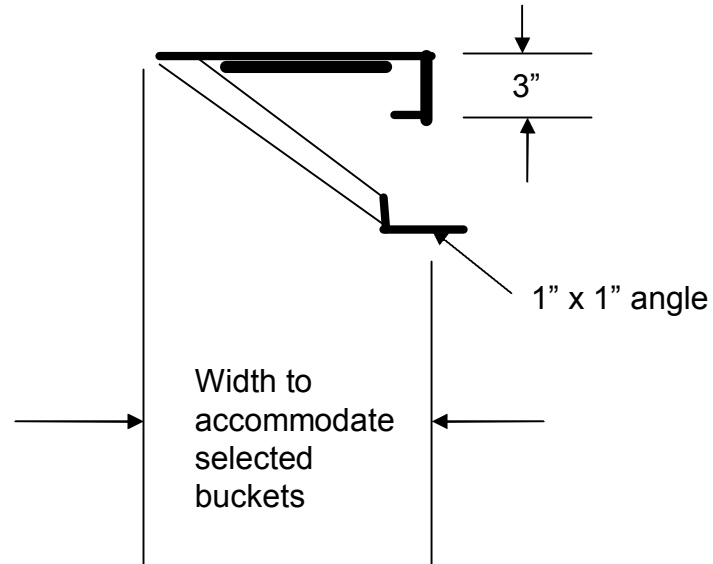
Not to Scale

### Top View



### Feed Bucket Holder

### Side View



Bolt hole optional in vertical portion of angle

### Front View